

Masport®

EXPORT ROTARY MOWERS

SERIES 16

Part Number

465739

Model

150STL SP 3'n1 OPC 19

Engine

Loncin 123cc

Month and Year of Manufacture: Sept 2018

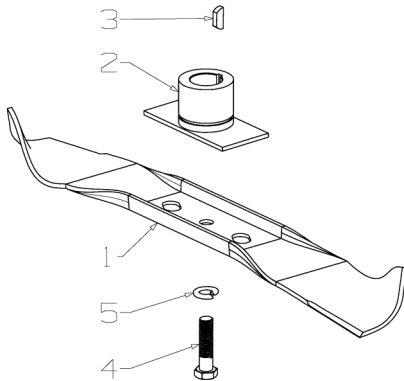
Starting Serial Number:



Issue A.0
ECN 03937
Aug 2018 PB
REF # 765739S

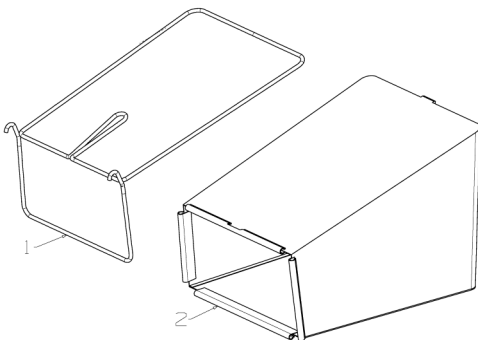


420mm Bar Blade



Item	Part No	Description	Qty
1	564514	Blade– Bar, 420mm	1
2	911106	Driver Assy– Blade, 7/8"	1
3	500636	Key– W/Ruff 5/8 x 5/32 x 1/4	1
4	503543	Bolt; Hex NF 3/8 x 1.5 NYG8	1
5	500204	Washer; Spg 3/8"	1

Bag Catcher Assembly 16"

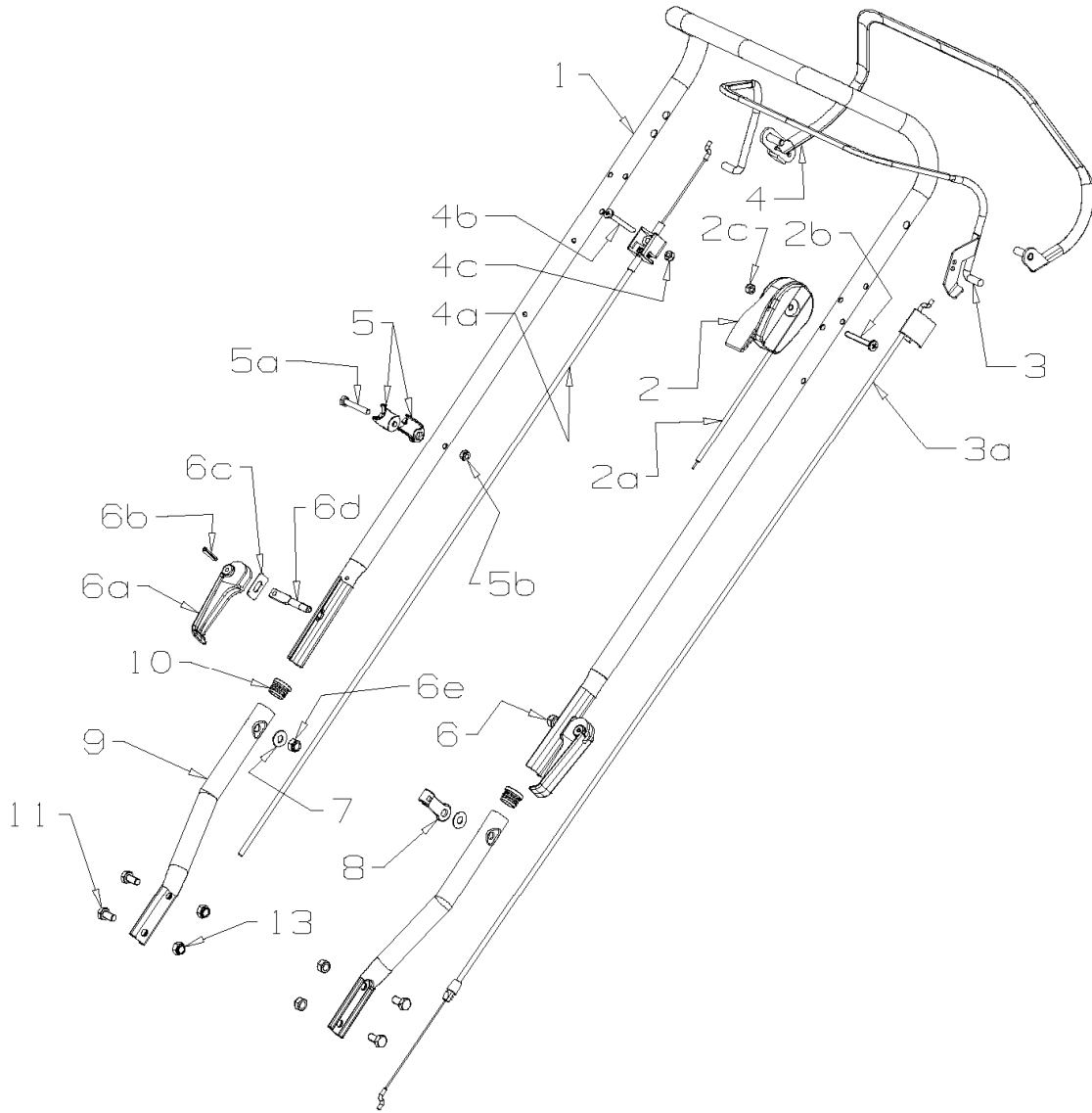


Item	Part No	Description	Qty
1	564496	Frame Assy– Catcher, Fabric 16"	1
2	574323	Bag Assy– Catcher, 16" MASP	1

Replacement Catcher
764512 Bag Catcher Assembly Plain 16"

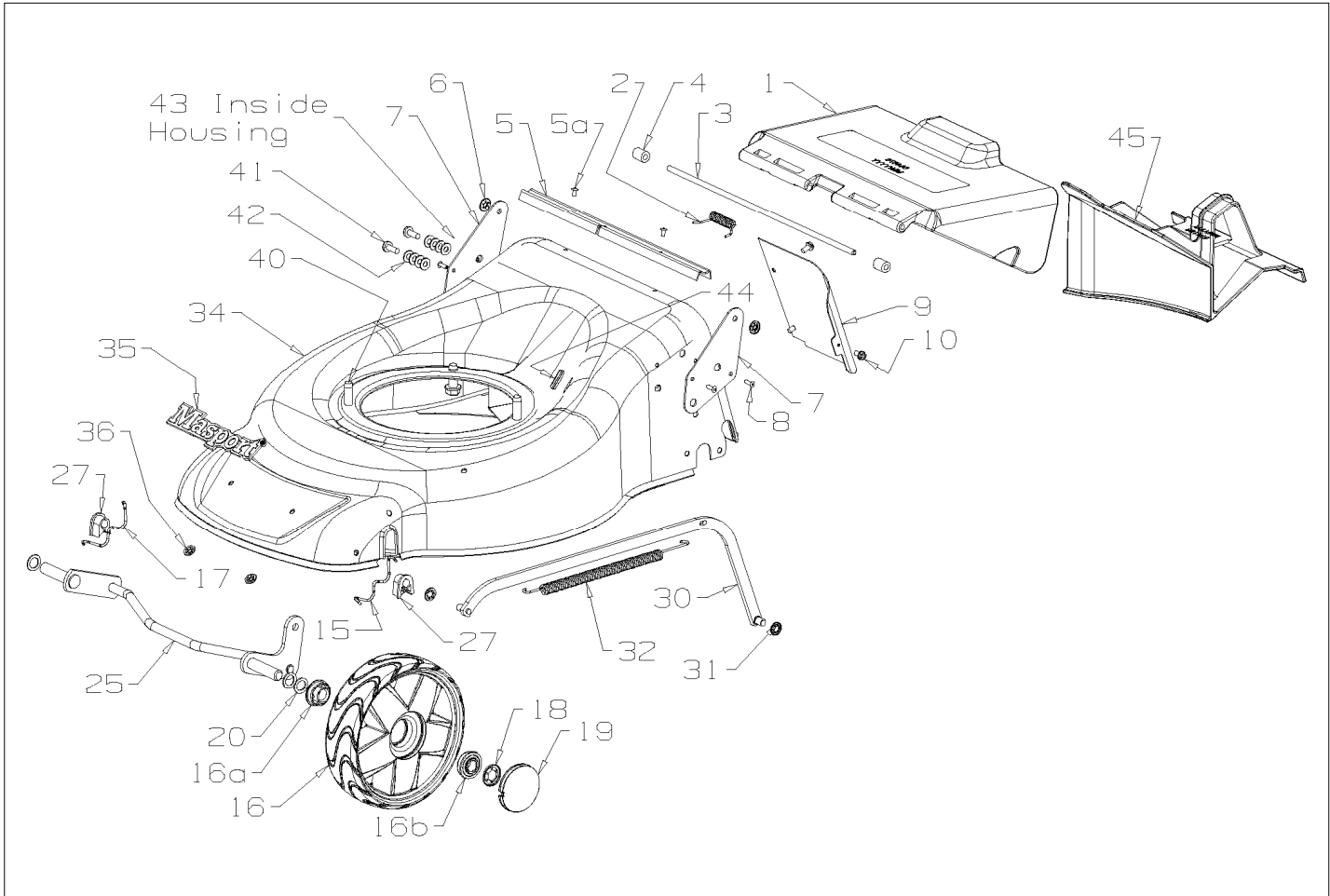
Not Illustrated

503054	Tie– Nylon Cable, Black	5	574146	Decal, Noise S16 96db	1
564463	Decal, HSG "MAXI-DRIVE"	1	574156	Decal, HSG S16 150STL	1
564550	Instruct, Catcher Assy 16"	1	580778	Stop Rope	1
565307	Certificate of Conformity	1	582049	Decal, Flap Caution	1
569324	Owner Manual, Masport EU	1			
571100	Decal, "Power Drive"	1			



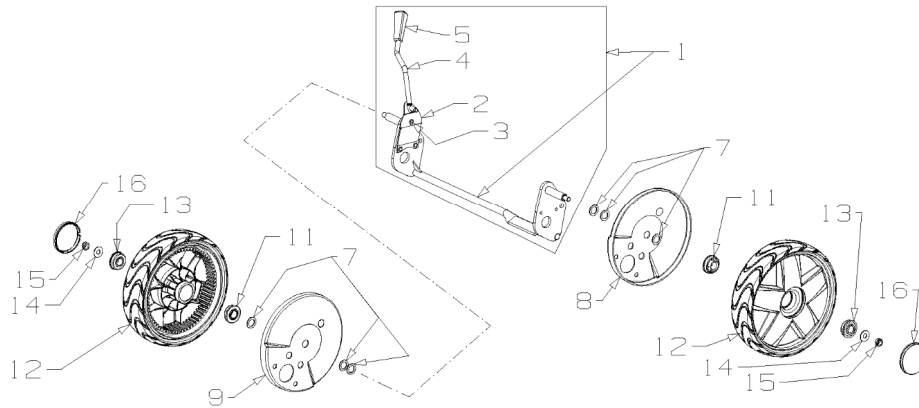
Item	Part No	Description	Qty	Item	Part No	Description	Qty
1	974429	Handle-Upper, Upt S16 SP Blk	1	6	980456	Cam Lock Assy (1 per)	2
2/2a	583458	Throttle Ctrl & Cable- Wescon (Also available: Lever 574398, Body 574430)	1	6a	580313	*Lever- Handle Locking	1
2b	503604	*Screw, Pan M6 x 45 Poz	1	6b	503369	*Pin, Tension 5.0 x 22	1
2c	501764	*Nut, M6 Hex Nyloc x 6mm thick	1	6c	016777	*Washer- Slipper S/S	1
3	981740	Bail Arm Assembly- OPC, 16" Blk	1	6d	583041	*Stud- Handle Lock, 61mm	1
3a	583395	Cable- Engine, OPC Push On	1	6e	501793	*Nut, M8 Hex Nyloc x 8mm thick	1
4	974175	Bail Arm Assembly- SP, 16" Blk	1	7	501606	Washer, Flat 8 x 18 x 1.6	2
4a	574214	Cable- Clutch, Thumb Wheel	1	8	581527	Retainer-Control Cable, Handle	1
4b	503604	Screw, Pan M6 x 45 Poz	1	9	974436	Handle-Lower, Stub S16 Black	2
4c	501764	Nut, M6 Hex Nyloc x 6mm thick	1	10	503319	Plug-22mm Black Plastic	2
5	703856	Comfort Start Kit	1	11	502106	Screw, Set-M8 x 16 Hex	4
5a	503794	*Screw, Set M6 x 40	1	13	501793	Nut, M8 Hex Nyloc x 8mm thick	4
5b	501764	*Nut, M6 Hex Nyloc x 6mm thick	1				

When ordering spares: PLEASE QUOTE PART NUMBER & Description, NOT illustrated number. Item Qty = 1 per part unless stated differently.
BOLD TEXT = Assemblies. Text starting with * = items included in the assemblies & may not be available as a spares item.
 Determine the left hand or right hand sides by standing in the operating position (standing at the handle).

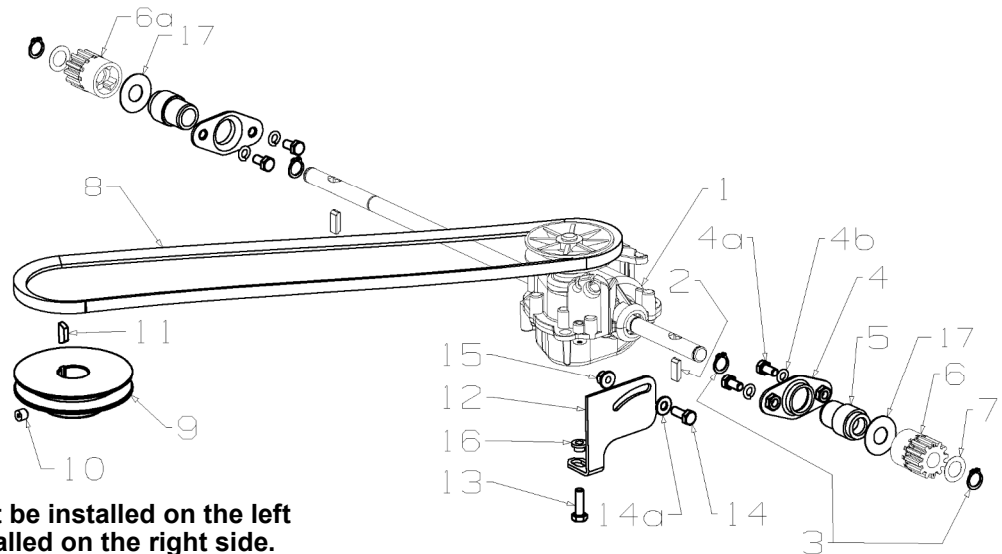


Item	Part No	Description	Qty
1	564570	Flap- Mower, 16" Black	1
2	581349	Spring-Flap, 18" STL	1
3	564503	Wire-Flap Pivot 335mm x 6mm	1
4	579733	Spacer-Flap	2
5	579211	Seal-Flap, Dust	1
5a	581369	Rivet-Pop 4.0 Dia x 3.2 73SS5-2	2
6	503574	Clip-Starlock, 6 dia	2
7	564517	Bracket- Flap, S16 Fabric/Catcher	2
8	501303	Rivet-Pop 4.0 Dia x 7.9 73AS5-5	4
9	574168	Tunnel- G/Box Cover 16"	1
10	503630	Screw; S/Tapping 10x .4 Typ B	3
15	529674	Retainer- Axle, Front "W"	2
16	579196	Wheel Assy-175 BB Spoked Slvr (Includes 2 x 551212 per wheel)	2
16a	579694	Bearing- Wheel, Plastic	2
16b	551212	Bearing- Wheel, Ball Type	2
18	503236	Clip-Starlock, 1/2"	2
19	579198	Hub Cap- Button, Spoked Silver	2
20	503301	Washer, Flat 1/2" x 3/4" x 18g	3
25	564515	Axle Assy-Front,S16- 7" Wheel	1
27	564499	Bush- Pivot, Axle Front S16	2
30	574173	Rod Assy-Connecting, S16 SP	1
31	501365	Clip-Starlock, 5/16"	2
32	581463	Spring-Counter Balance	1
34	774162	Hsg-Stl 16" Chisel SP TTNM	1
35	581240	*Nameplate-MASPORT	1
36	503150	*Clip-Starlock, 5 Dia	2
40	580453	Screw; S/T 3/8 x 1-1/8" UNC Tri	3
41	503331	Screw, Pan M6 x 16	2
42	501703	Washer, Flat 6 x 14 x 1.2	8
43	501764	Nut, M6 Hex Nyloc x 6mm thick	2
44	502179	Grommet- Clutch Cable, 20x16x6	1
45	574188	Insert- Mulching, 16" ST/SP	1
Not Illustrated			
	502350	Loncin LC1P61FE OPC 123cc	1

When ordering spares: PLEASE QUOTE PART NUMBER & Description, NOT illustrated number. Item Qty = 1 per part unless stated differently. **BOLD TEXT** = Assemblies. Text starting with * = items included in the assemblies & may not be available as a spares item. Determine the left hand or right hand sides by standing in the operating position (standing at the handle).



Item	Part No	Description	Qty	Item	Part No	Description	Qty
1	774410	Axle Assy-Rear, 16" SP	1	11	579694	Bearing-Wheel, Plastic	2
2	580649	*Spring-Leaf	1	12	567568	Wheel Assy -200mm SP Silver	2
3	503373	*Rivet-Flat Head,3/16x27/64	3			(Includes 2 x 551212 per wheel)	
4	574216	*Rod-Height Selector, 16" SP	1	13	551212	Bearing-Wheel, Ball Type	2
5	580056	*Knob-Height Adjust (Square)	1	14	501606	Washer, Flat 8 x 19 x 1.6	2
7	503301	Washer, Flat 1/2 x 3/4 x 18g	6	15	503831	Nut, M6 Hex Nyloc x 6mm thick	2
8	567597	Dust Cover RH/LH	1	16	579198	Hub Cap- Button, Spoked Silver	2
9	567597	Dust Cover LH/RH	1				



Please Note: RH pinion must be installed on the left side, LH pinion must be installed on the right side.

Item	Part No	Description	Qty	Item	Part No	Description	Qty
1	574161	Gearbox- Single Speed Dog	1	9	782515	Pulley-ENG, 7/8B x 79D x 28H	1
2	581092	Pawl Pinion, 950SP	2	10	503386	*Screw, Grub M8 x 8	1
3	503759	Circlip, 12EXT DIN 471	4	11	500636	Key-W/Ruff 5/8 x 5/32 x 1/4	1
4	567598	Retainer Axle Rear 18" ST SP	2	12	574212	Mount-Gearbox 16" ST SP	1
4a	501959	Screw, Set M6 x 12	4	13	501600	Screw, Set M6 x 20	1
4b	500201	Washer, SPG 6	4	14	501702	Screw, Set M6 x 16	1
5	567572	Boss - Bearing 18" ST SP LH	2	14a	501703	Washer, Flat 6 x 14 x 1.2	1
6	569179	Pinion - R/H, 12 Teeth	1	15	503973	Nut, M6 Hex Nyloc	1
6a	569178	Pinion-L/H, 12 Teeth	1	16	564093	Bush-G/Box Mount, ST Syncro	1
7	503102	Washer, Flat 12 x 20 x 0.4	2	17	564092	Washer, Flat 13 x 30 x 0.6	2
8	574217	Belt-V Sanlux XPZ 686	1				

When ordering spares: PLEASE QUOTE PART NUMBER & Description, NOT illustrated number. Item Qty = 1 per part unless stated differently. **BOLD TEXT** = Assemblies. Text starting with * = items included in the assemblies & may not be available as a spares item. Determine the left hand or right hand sides by standing in the operating position (standing at the handle).